

REVISIONS			
REV	DESCRIPTION	DATE	APPROVED

**PACKAGE DIMENSIONS (mm)**

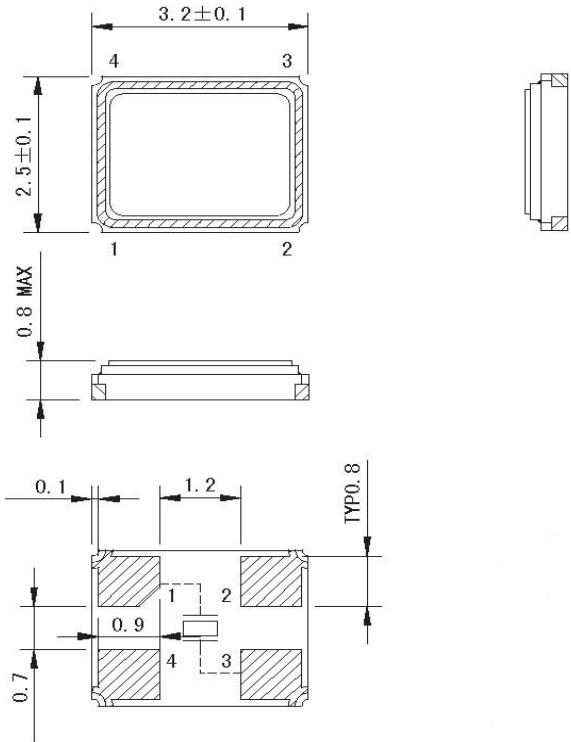


Figure 1: Top, Side, Bottom, and End Views

**ELECTRICAL SPECIFICATIONS**

Frequency: 12.288000 MHz  
 Frequency Tolerance @ +25°C:  $\pm 20$  ppm Max.  
 Frequency Stability (-40 to +85°C):  $\pm 30$  ppm Max.  
 Crystal Cut: AT Strip  
 Load Capacitance (CL): 18 pF  
 Recommended Drive Level: 100  $\mu$ W Max.  
 Effective Series Resistance: 80  $\Omega$  Max.  
 Shunt Capacitance: 5 pF Max.  
 Mode of Operation: Fundamental  
 Storage Temperature: -55 to +125°C  
 Operating Temperature: -40 to +85°C  
 Aging (first year):  $\pm 3$  ppm Max.  
 Package Type: ECX-32  
 Lead Finish: Au  
 MSL: 1

P/N: ECS-122.8-CDX-0921



Cust P/N: 17051

ECS INC. INTERNATIONAL 1105 S. Ridgeview Olathe, KS 66062 (913) 782-7787			
SIGNATURES		DATE	
DRN <b>RC</b>		5/18/2012	
CHK <b>BL</b>		5/18/2012	
APP <b>DK</b>		5/18/2012	
TITLE		12.288 MHz Crystal 18 pF SMD Crystal $\pm 20/30$ ppm -40 ~+85°C RoHS	
SIZE A	DWG NO. ECS-122.8-CDX-0921	REV	
Dimensions in mm		CAGE CODE: 1G8B7	SHEET 1 OF 1