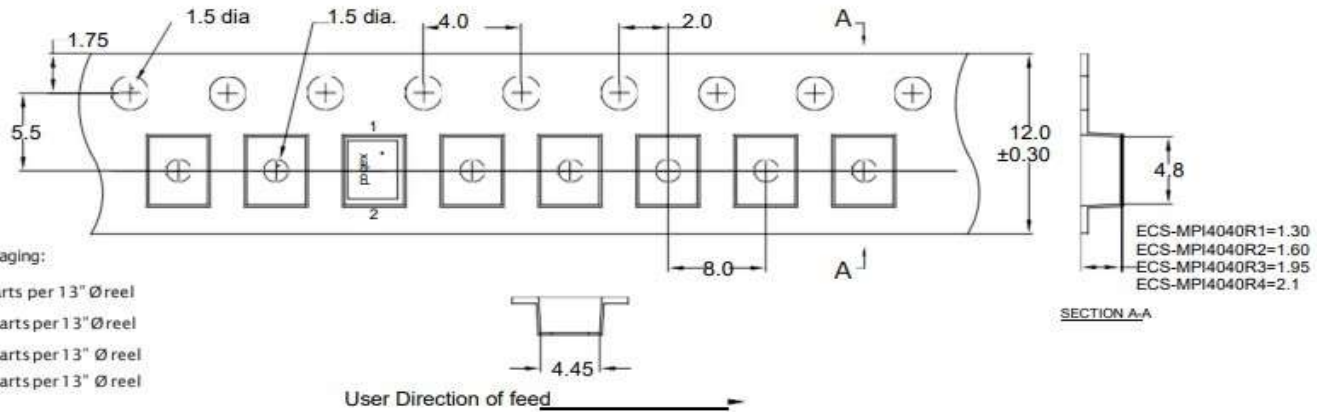


REVISIONS			
REV	DESCRIPTION	DATE	APPROVED



ECS INC. INTERNATIONAL 15351 W. 109th Street Lenexa, KS 66219 (913) 782-7787		
TITLE <b>ECS-MPI4040-R Tape Specification</b>		
SIZE A	DWG NO.	REV -
CAGE CODE: 1G8B7		SHEET 1 OF 1

Dimensions in mm