

The ultra-miniature ECX-.327-CDX-2096 is a very compact SMD Tuning Fork Crystal with a Max. **Low ESR of 50K Ω**. The 3.2 x 1.5 x 0.9 mm ceramic package is ideal for mobile devices, real time clocks, and wireless applications.

Request a Sample



OPERATING CONDITIONS / ELECTRICAL CHARACTERISTICS

PARAMETERS	CONDITIONS	ECX-.327-CDX-2096			UNITS
		MIN	TYP	MAX	
Frequency	Fo		32.768		KHz
Frequency Tolerance	@ +25°C			± 5	ppm
Temperature Coefficient		-0.028	-0.034	-0.040	ppm/°C ²
Shunt Capacitance	Co		1.3		pF
Load Capacitance	Specify in P/N		12.5		pF
Drive Level	DL			0.5	μW
Equivalent Series Resistance	R1			50K	Ω
Insulation Resistance	@ 100V DC	500M			Ω
Turnover Temperature		+20	+25	+30	°C
Operating Temperature	Topr	-40		+85	°C
Storage Temperature	Tstg	-55		+125	°C
Aging (First Year)	@ +25°C ±3°C			±3	ppm

- Low Profile
- 50K Max. ESR
- 3.2 x 1.5 mm Footprint
- Extended Temp. Range
- RoHS Compliant
- Low Power RTC Applications such as STM32 [AN2867](#)

DIMENSIONS (mm)

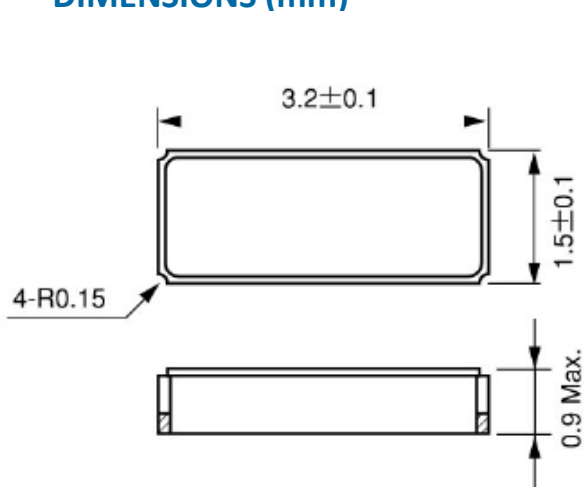
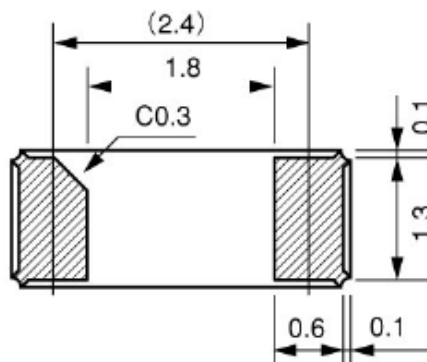


Figure 1) Top, Side, and Bottom views



PAD CONNECTIONS	
1	In/Out
2	Out/In

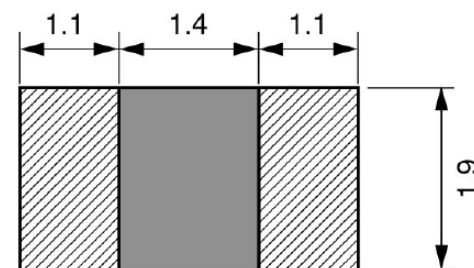
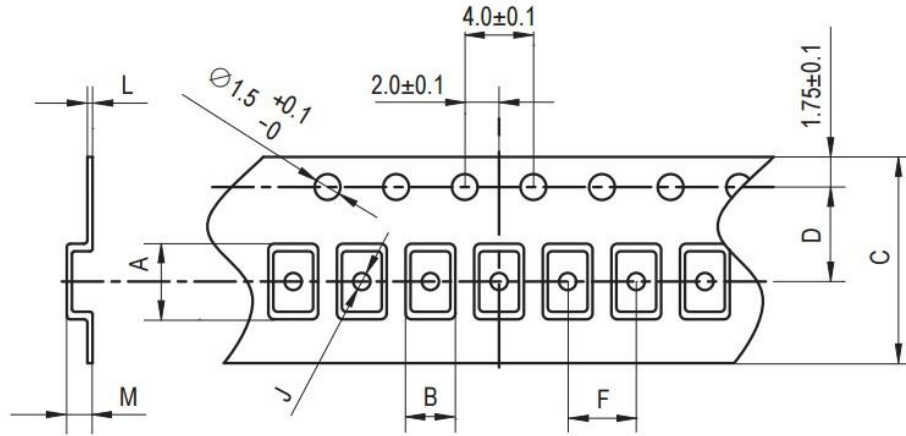


Figure 2) Suggested Land Pattern

PART NUMBER: ECX-.327-CDX-2096

POCKET TAPE DIMENSIONS (mm)



A	B	C	D	F	J	L	M	Reel Dia.	Qty/Reel
3.4	1.7	12.0	5.5	4.0	1.0	0.3	1.2	180	3000pcs

SOLDER PROFILE

Peak solder Temp +260°C Max 10 sec Max.

2 Cycles Max.

MSL 1, Lead Finish Au

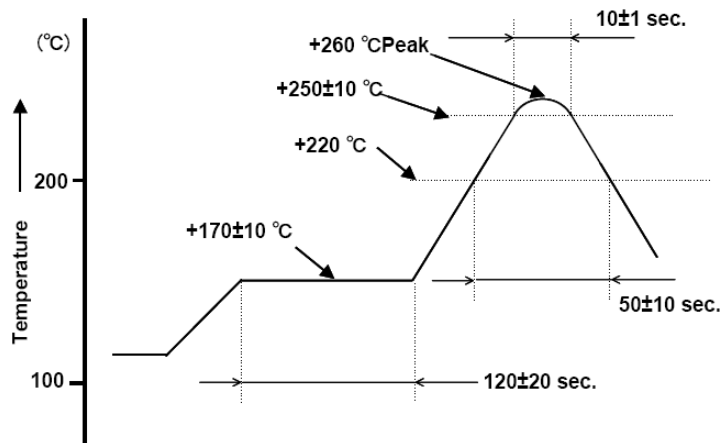


Figure 1) Suggested Reflow Profile