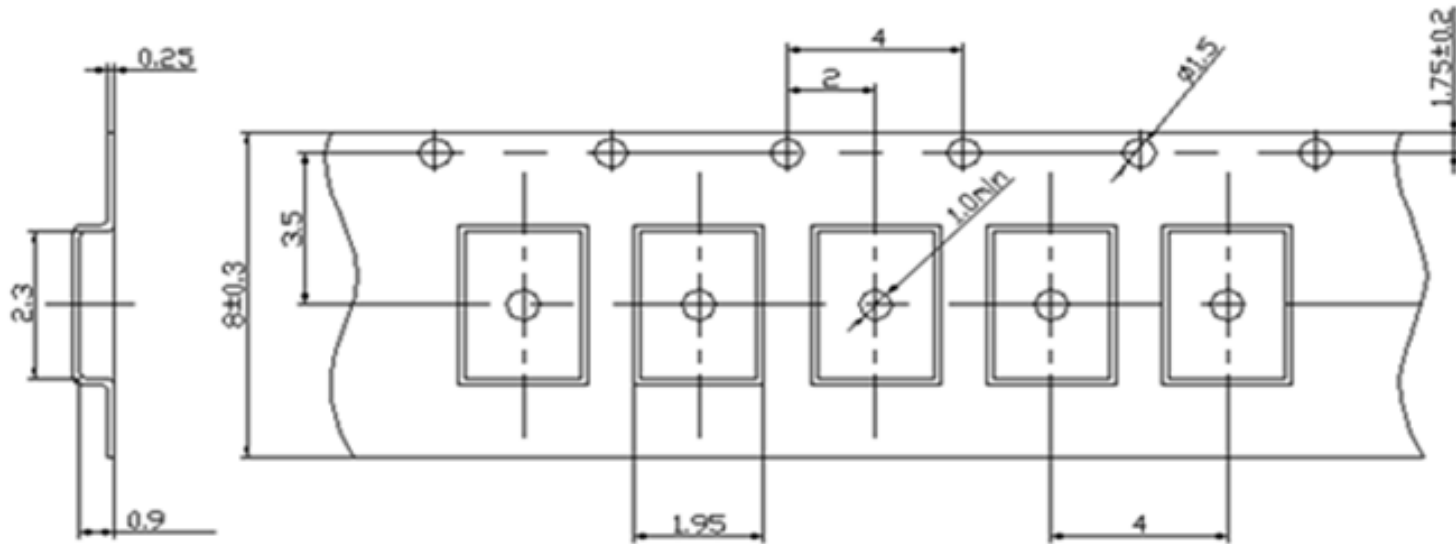


| REVISIONS | | | |
|-----------|-------------|------|----------|
| REV | DESCRIPTION | DATE | APPROVED |
| | | | |



ECS INC. INTERNATIONAL
 15351 W. 109th Street
 Lenexa, KS 66219
 (913) 782-7787

TITLE
ECX-1637TC Tape Specification

| | | |
|-----------|---------|----------|
| SIZE A | DWG NO. | REV - |
|-----------|---------|----------|

Dimensions in mm

CAGE CODE: 1G8B7

SHEET 1 OF 1

