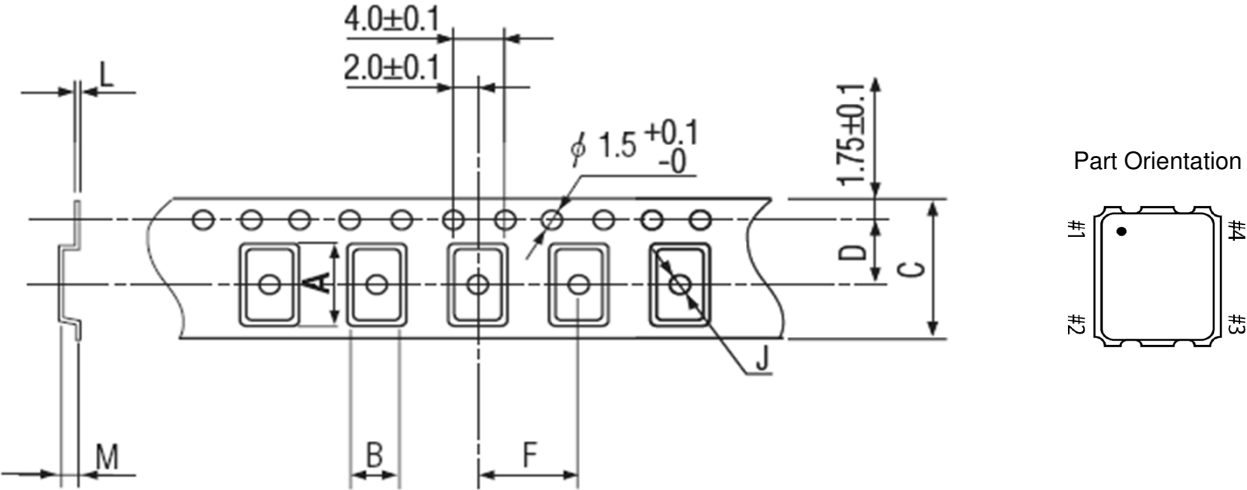


REVISIONS			
REV	DESCRIPTION	DATE	APPROVED



A	B	C	D	F	J	L	M	Reel Dia.	Qty/Reel
2.8	2.3	8.0	3.5	4.0	1.0	0.25	1.1	180	1000pcs

ECS INC. INTERNATIONAL 1105 S. Ridgeview Olathe, KS 66062 (913) 782-7787		
TITLE <b>ECS-2025/2033 Tape Specification</b>		
SIZE A	DWG NO. ECS-2025/2033 Tape	REV -