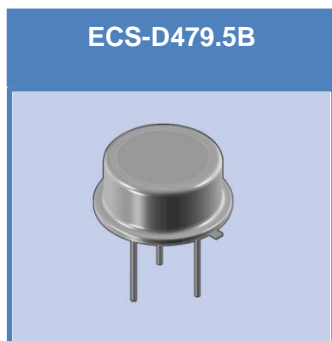


The ECS-D479.5B is a 479.5 MHz SAW (Surface Acoustic Wave) Filter in a thru-hole TO39-3A package. They are ideal for Satellite TV.

Request a Sample

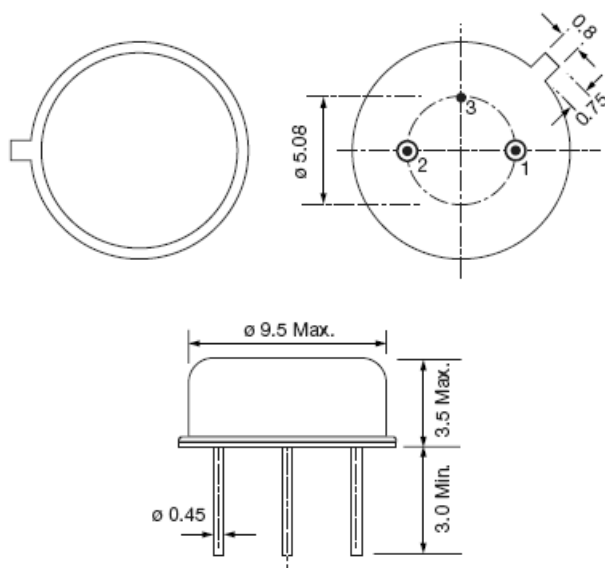
OPERATING CONDITIONS / ELECTRICAL CHARACTERISTICS



- Quartz Stability
- Ideal for Satellite Receiver
- RoHS Compliant

Parameters	Conditions	ECS-D479.5B			Units
		MIN	TYP	MAX	
Center Frequency		478.0	479.5	481.0	MHz
Insertion Loss	@ 479.5 MHz			23	dB
3 dB Pass Band		25.7	26.7	27.7	MHz
Spurious Response	0 to 750 MHz	30			dB
Frequency Stability	-25°C ~ 85°C		-86		PPM/°C
Insulation Resistance	10V DC	1			MΩ
Terminating Impedance	Input	60Ω//4.8pF			
	Output	260Ω//3.1 pF			
Operating Temperature		-25		+85	°C
Storage Temperature		-40		+85	°C

Package Dimensions (mm)



Pin Connections	
#1	Input
#2	Output
#3	Ground

Figure 1) Top, Side, and Bottom views